

**LAVASTOVIGLIE A CARICA FRONTALE
FRONT LOADING DISHWASHER****LU7 / WTU40**

Code	Type	Ref.	Pagina/ Page
------	------	------	-----------------

PRESSIONE

503020	LU7PDP	a	2368
503023	WTU40PDP	b	2368
698033	LU700PDP	c	2368

ATMOSFERICA

503021	LU7ADP	d	2358
503022	LU7ADPWS	i	2478
503024	WTU40ADP	e	2358
503025	WTU40ADPWS	l	2478
503026	WTU40ADPDG	g	2358
698019	ET7ADP	h	2358
698034	LU700ADP	f	2358
698037	LU700ADPWS	m	2478

Pagina/ Page**Indice/ index**

2	Vista generale / Main view
3	Componenti idraulici (non per "i,l,m") / Hydraulic components (not for "i,l,m")
4	Componenti idraulici (solo per "i,l,m") / Hydraulic components (only for "i,l,m")
5	Circuito idraulico atmosferico / Atmospheric plumbing circuit
6	Circuito idraulico a pressione / Pressurized plumbing circuit
7	Circuito idraulico atmosferico con addcitore (solo per "i,l,m") / Water softener hydraulic circuit (only for "i,l,m")
8	Componenti elettrici / Electrical components
9 - 18	Lista ricambi / Spare parts list

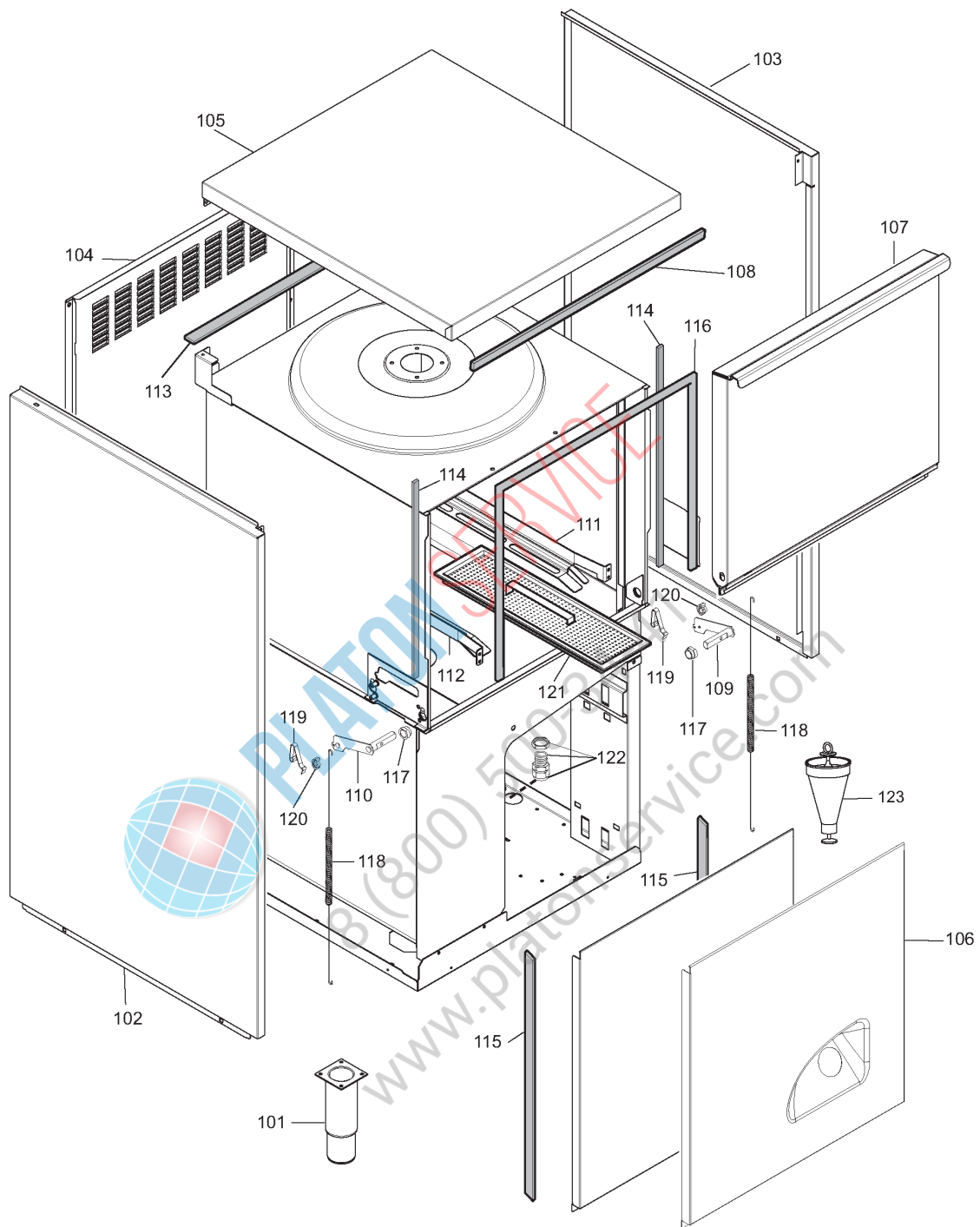
Marchio/ Brand: Z - A - E**Paese/ Country: Tutti/ All**

Da Ser.Nr./From Ser.nr.: /527....

Page: 1

Ed.2014-12

Doc. Nr.: 6-22 001



ill. 622001p1
Vista generale / Main view

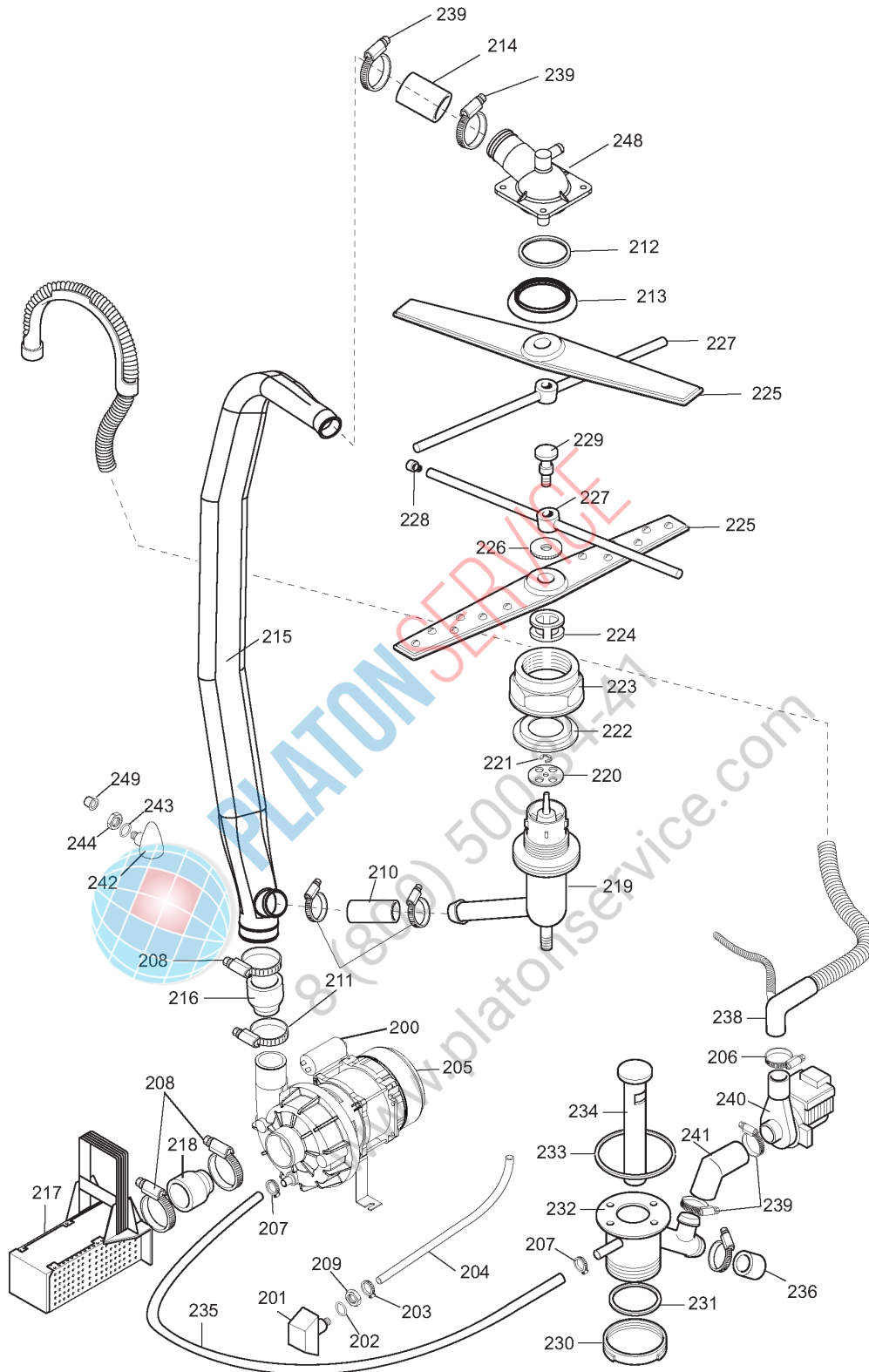
Da Ser.Nr./From Ser.nr.: /527....

Page: 2

Ed.2009-05

Doc. Nr.: 6-22 001

??????	503024								
??????	6-22001		???????? 2				Main view		
.		Alias		S			.		(Euro)
0101	048579			S			COMPLETE FOOT; H=153MM	Up to Ser. Nr. 405	17,16
0101	0L3203			S			FOOT; WITH FLANGE	From Ser. Nr. 406	14,88
0102	0L0711				D		LEFT SIDE	Up to Ser. Nr. 643	
0102	0L1264				D		LEFT SIDE; LU7	From Ser. Nr. 644	189,03
0103	0L0712				D		RIGHT SIDE	Up to Ser. Nr. 643	
0103	0L1263				D		RIGHT SIDE; DX LU7	From Ser. Nr. 644	189,03
0104	0L0713				D		BACK PANEL	a,b,c,d,e,h,f - Up to Ser. Nr.: 643	159,80
0104	0L1265				D		BACK PANEL; LU7	a,b,c,d,e,h,f - From Ser. Nr.: 644	121,11
0105	0L0714						COVERING	Up to Ser. Nr. 643	
0105	0L1262				D		COVERING; LU7	From Ser. Nr. 644	143,13
0106	0L0715						FRONT PANEL	a,b,c,d,e,g,f - Up to Ser. Nr.: 921	96,09
0106	0L2062						FRONT PANEL; LU7	a,b,c,d,e,g,f - From Ser. Nr.: 922	91,91
0107	0L0716						DOOR; ASSY		318,58
0108	049930						TRIM; 15X3 BY MT.		2,33
0109	0L0717				S		LEVER; RIGHT		14,56
0110	0L0718				S		LEVER; LEFT		14,56
0111	0L0719						BASKET SUPPORT; RH		48,88
0112	0L0720						BASKET SUPPORT; LH.		48,88
0113	0E5559						U-STRIP; L=700 MM		31,54
0114	0L0113						GASKET; 1PC=1100MM		
0115	0L0689		046583		A		ELASTOMER GASKET; BY METER		
0116	0L0721				S		GASKET		18,04
0117	048812						BRASS		11,31
0118	0L0722				S		DOOR SPRING		23,81
0119	0L0723						SPRING	Up to Ser. Nr.: 921	37,39
0120	0L0724						CAM	Up to Ser. Nr.: 921	45,02
0121	0L0069				S		FILTER		69,56
0122	048932				S		FIXING CABLE		7,10



ill. 622001p2
Componenti idraulici (non per "i,l,m") / Hydraulic components (not for "i,l,m")

Da Ser.Nr./From Ser.nr.: /527....

Page: 3

Ed.2009-05

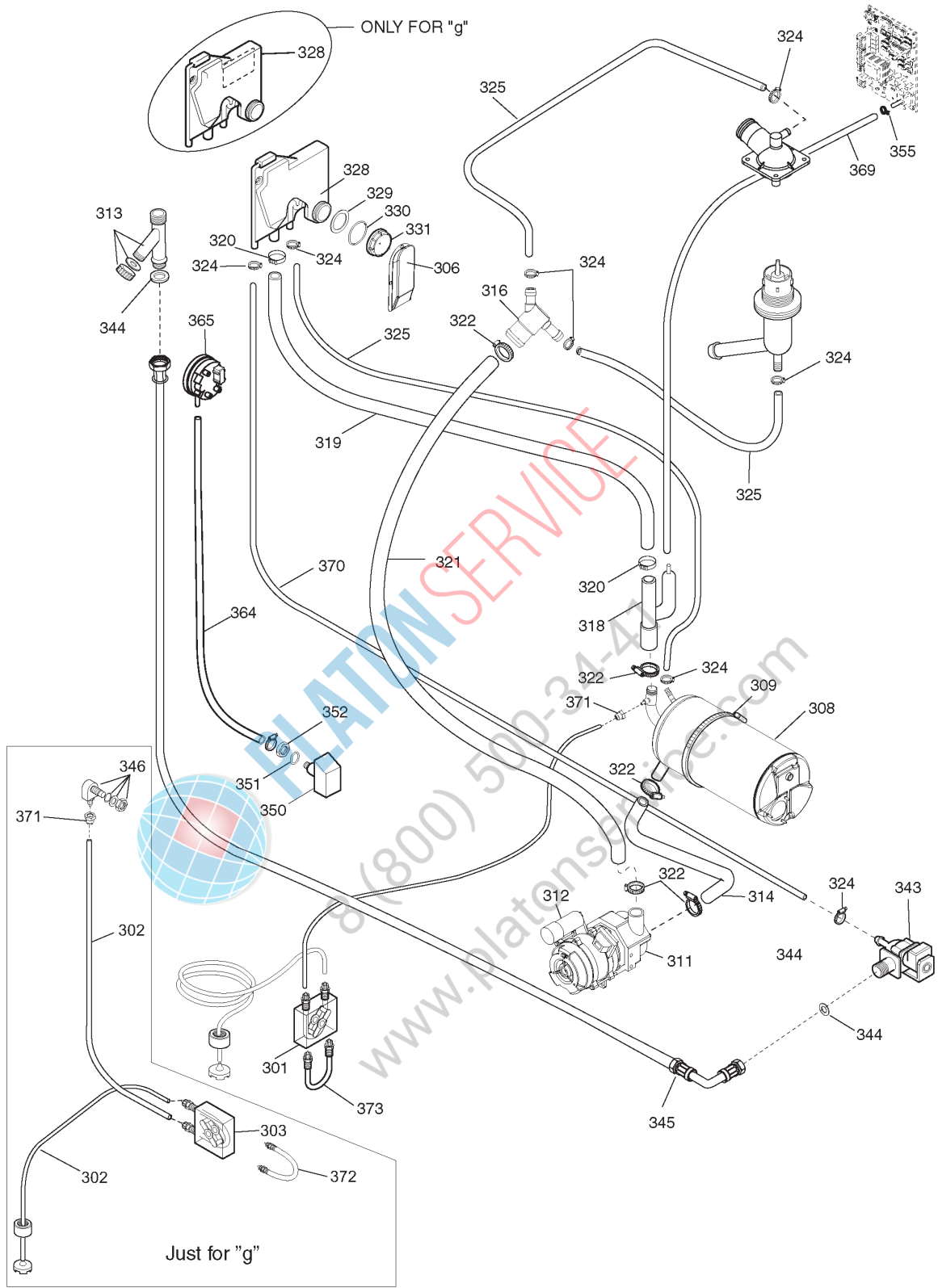
Doc. Nr.: **6-22 001**

??????	503024										
??????	6-22001		???????? 3						Hydraulic components (not for "i,l,m")		
.		Alias		S			.			(Euro)	
0200	0A2914								CAPACITOR; 16MF 500V	16 µF	17,90
0201	048308								AIR TRAP; FOR PRESSURE GAUGE		4,66
0202	068642								O-RING; ØI=15,54X2,62		1,07
0203	046946								CLAMP; 8-12/7,5		2,33
0204	048883								RUBBER HOSE; 5X12; 1PZ=2300MM	Up to Ser. nr.: 006	12,67
0204	049904						CGX200 8-16		PRESSURE SWITCH HOSE; L=60CM	From Ser. nr.: 007	5,43
0205	0L0092			S	A				WASH PUMP; ZF522VSX; 230V 1P 50HZ	Up to Ser. Nr: 921	253,75
0205	0L1914			S	A				PUMP; ZF522VSX; 230V 1PH; 50HZ	From Ser. Nr: 922	241,30
0206	047578								CLAMP; 26-38		1,89
0207	048126								CLIP; 13-20		1,66
0208	046853								HOSE CLAMP; 60-80/9		2,66
0209	049268								HEX NUT; M14X1,5		1,89
0210	0L0612			S					SLEEVE		7,17
0211	0L0193			S					CLMAP; 40-60/9		2,07
0212	046366								O-RING; ØI=73,03X3,53		1,66
0213	048650								REDUCTION		7,20
0214	0L0259			S					JUNCTION		4,46
0215	0L0725								WASH PIPE		48,25
0216	0L0068			S					JUNCTION		16,52
0217	049810								FILTER FOR PUMP		34,74
0218	0L0067			S					JUNCTION		14,56
0219	048235								SUPPORT F. LOWER JETS		42,95
0220	048820								SHUTTER		4,88
0221	048979								SNAP RING		1,49
0222	048236								GASKET		3,87
0223	048237								RING NUT; LOWER JETS SUPPORT		5,55
0224	048401						06001		HUB; FOR WASH ARM		22,39
0225	0L0598				A		CGX200 4-10		WASHING ARM ASSEMBLY		52,43
0226	048632								LOCK WASHER		9,98
0227	048716								RINSE JET	Up to Ser. Nr.: 936	
0227	0L2095			S					RINSE ARMS	From Ser. Nr.: 937	63,72
0228	048714						CGX200 2-09		PLUG; FOR RINSE ARM	Up to Ser. Nr.: 936	1,05
0229	048290								PIN; L=43MM; FOR RINSE ARMS		17,63
0230	048231								PLUG; FOR DRAIN SUPPORT		5,55
0231	048230								GASKET		6,18
0232	049600								SUPPORT	From Ser. Nr: 922	11,20

??????	503024								
??????	6-22001		???????? 3					Hydraulic components (not for "i,l,m")	
.		Alias		S		.			(Euro)
0232	0L0081							DRAIN MANIFOLD	Up to Ser. Nr: 921 10,48
0233	048229							GASKET; ØI=46,04X3,53 MM	1,07
0234	049140							OVERFLOW PIPE	14,09
0235	048531							RUBBER HOSE; ØI=12MM;ØE=19,5MM;BY METER	L=540 mm 9,83
0236	047555							PLUG	6,77
0238	049878							HOSE	18,96
0239	046878							HOSE CLAMP; 35-50/9	2,01
0240	0L0994				A	+	CGX201 2-02	DRAIN PUMP; 220V 50 HZ; ASKOLL TIPO SC	Up to Ser. Nr.: 144
0240	0L2133		0L2657		A	+	CGX201 2-02	DRAIN PUMP; TYPE DPO25 200/240V 50/60HZ	From Ser. Nr.: 145
0241	048328							DRAIN PIPE	19,62
0242	048853							AIR CHAMBER	4,21
0243	068642							O-RING; ØI=15,54X2,62	1,07
0244	049268							HEX NUT; M14X1,5	1,89
0248	0L0695				S			WASH/RINSE ARMS SUPPORT; UPPER	25,80
0249	049849				S			STOPPER	1,07



PLATON SERVICE
8 (800) 500-34-47
www.platonservice.com



ill. 622001p3
Circuito idraulico atmosferico / Atmospheric plumbing circuit

Da Ser.Nr./From Ser.nr.: /527....	Ed.2011-12	Doc. Nr.: 6-22 001
Page: 5		

??????	503024										
??????	6-22001		???????? 5				Atmospheric plumbing circuit				
.		Alias		S			.				(Euro)
0301	0S1713		0S2285					PERISTALTIC PUMP RINSE AID; PG 0,4			
0303	0S1711		0S1986					PERISTALTIC PUMP DETERGENT; PG 3			
0306	0L2560			S				PROTECTION			13,69
0308	0L0346		0L1928		D			BOILER; ASS.	Up to ser. nr.: 840		
0308	0L1928			S	A			BOILER; ASSY; ATM. HT/LS7/ LS9/10/14	From ser. nr.: 841		240,27
0309	0TH122			S				CLAMP; 200-220			7,82
0311	049310						CGX200 6-01	RINSE PUMP; 230V 1P 50HZ	Up to ser. nr.: 607		153,53
0311	0L1079		0L1640		A	+		PUMP; 220/240 50HZ	From ser. nr.: 608		
0312	049260							CAPACITOR; 6,3MF, F. PUMP 049057	6.3 µF - Up to ser. nr.: 607		22,04
0312	083406							CAPACITOR; 5MF	5.0 µF - From ser. nr.: 608		15,99
0313	048834							STRAINER			14,31
0314	049599			S				PIPE			22,27
0316	0L0365			S				Y-FITTING; 3-WAYS			33,00
0318	049628		0L0098					AIR TRAP			
0319	049287			S	A			HOSE; ØE=30MM; ØI=25MM; L=430MM			10,91
0320	0L0367			S				CLAMP; 33/9; AISI 304			2,51
0321	049773							HOSE; 25,5X36MM; L=1000MM			29,84
0322	047578							CLAMP; 26-38			1,89
0324	048126							CLIP; 13-20			1,66
0325	048531							RUBBER HOSE; ØI=12MM;ØE=19,5MM;BY METER			9,83
0328	049459					+		AIR GAP	a,b,c,d,i,e,l,h,f,m - From Ser. Nr.: 036		20,74
0329	049828			S				O-RING; ØI=50MM; ØE=59,5MM			1,70
0330	049460							O-RING; ØI=53,65MM; ØE=58,89MM			1,07
0331	049480							RING NUT; FOR AIR GAP			2,66
0343	0L0568		0L3446		A			SOLENOID VALVE; 1 WAY;220-240V 50-60 HZ	a,b,c,d,i,e,l,h,f,m - From Ser. Nr.: 036		
0344	049201							GASKET; DIA 3/4"	Up to Ser. nr.: 839		1,07
0344	0L1945			S		Kit		GASKET; SET 50PCS; DIA.26,5MM	From Ser. nr.: 840		17,03
0345	048816							HOSE	Up to Ser. nr.: 839		
0345	0L1887			S				FEEDING HOSE; 2000MM	From Ser. nr.: 840		14,92
0346	049801						CGX200 0-22	DETERGENT INJECTOR			24,52
0350	048308							AIR TRAP; FOR PRESSURE GAUGE			4,66
0351	068642							O-RING; ØI=15,54X2,62			1,07
0352	049268							HEX NUT; M14X1,5			1,89
0355	0L0082			S				CLAMP; DIA. 7,3-7,8MM			1,05
0364	048883							RUBBER HOSE; 5X12; 1PZ=2300MM	Up to Ser. nr.: 006		12,67

??????	503024									
??????	6-22001		???????? 5				Atmospheric plumbing circuit			
.		Alias		S		.				(Euro)
0364	049904					CGX200 8-16	PRESSURE SWITCH HOSE; L=60CM	From Ser. nr.: 007		5,43
0365	049620						PRESSURE SWITCH; CALIB.= 250/130-390			20,60
0369	072393						HOSE; Ø=4X7,4MM; L=500CM; PRESSURE SWITC			12,25
0370	048531						RUBBER HOSE; ØI=12MM;ØE=19,5MM;BY METER	a,b,c,d,i,e,l,h,f,m - From Ser. Nr.: 036		9,83
0371	0L0349			S			PLUG			2,28
0373	049418						RINSE AID DISPENSER HOSE			14,61

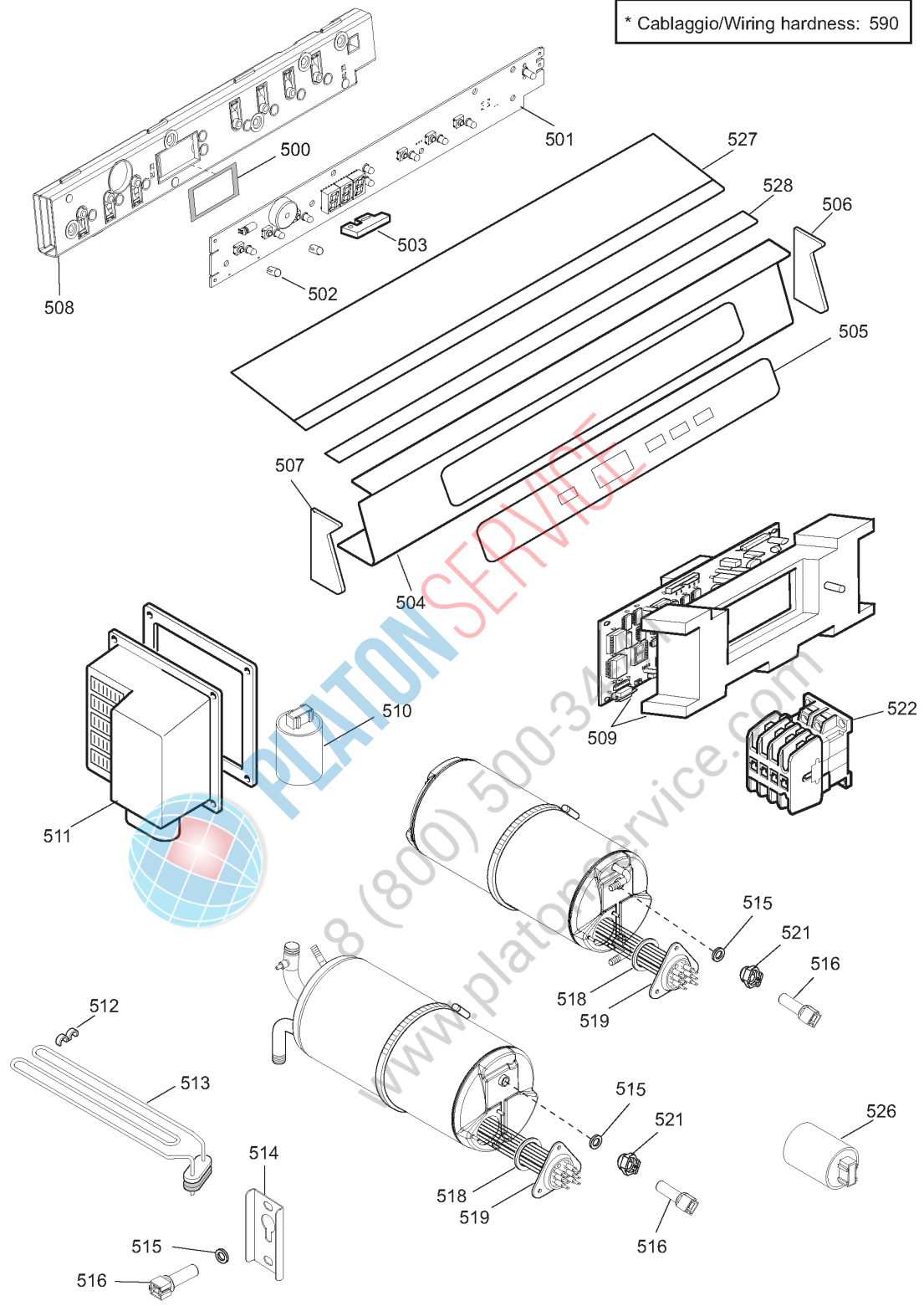


PLATON SERVICE

8 (800) 500-34-41

www.platonservice.com

* Cablaggio/Wiring hardness: 590



iii. 622001Ap5
Componenti elettrici / Electrical components

Da Ser.Nr./From Ser.nr.: /527....	Ed.2007-11	Doc. Nr.: 6-22 001
Page: 8		

??????	503024								
??????	6-22001		???????? 8				Electrical components		
.		Alias		S			.		(Euro)
0500	0L1943			S			GASKET	From Ser. Nr.: 743	1,05
0501	0L0726		0L1626		D		USER INTERFACE BOARD	Up to Ser. Nr.: 622	
0501	0L1241		0L1626				USER INTERFACE BOARD	From Ser. Nr.: 623 - Up to Ser. Nr.: 742	
0501	0L1565		0L1626		D		USER INTERFACE BOARD	From Ser. Nr.: 743	
0502	002670						EXTENSION; L=6,95MM	Up to Ser. Nr.: 742	1,05
0503	0L1871			S	A	Kit	REED SWITCHKIT; KIT		20,99
0504	0L0727						CONTROL PANEL; ASSY	b,e,g,l - From Ser. Nr.: 922	58,49
0504	0L0729						CONTROL PANEL; ASSY	b,e,g,l - Electrolux - Up to Ser. Nr.: 921	78,85
0505	0L0730						ADHESIVE MEMBRANE	b,e,g,l - Electrolux - Up to Ser. Nr.: 921	221,44
0505	0L1650		0L3691				ADHESIVE MEMBRANE; LS6	e,g,l - Electrolux Wash Safe - From Ser. Nr.: 922	
0506	049925						GASKET	b,e,g,l - From Ser. Nr.: 922	1,07
0506	049939						GASKET	b,e,g,l - Electrolux - Up to Ser. Nr.: 921	1,05
0507	049927						GASKET	b,e,g,l - From Ser. Nr.: 922	1,07
0507	049940						GASKET	b,e,g,l - Electrolux - Up to Ser. Nr.: 921	1,05
0508	0L1567		0L1626		D		COVERING; LS5-6	From Ser. Nr.: 743	
0509	0L2583			S	A		PCB; DIWAP AZ60	a,b,c,d,e,g,h,f	217,22
0510	049303						RADIO INTERFERENCE FILTER; 250V 50/60HZ		24,73
0511	0L0111			S			JUNCTION BOX		41,47
0512	048429						BRACKET		2,11
0513	048491		0L1870				TANK HEATING ELEMENT; 3000W 230V	Up to Ser. Nr.: 823	
0513	048924		0L2340				TANK HEATING ELEMENT; 2200W 230V	From Ser. Nr.: 922 - Up to Ser. Nr.: 021	
0513	0L1870			S	A		HEATING ELEMENT; 230V-3000W	From Ser. Nr.: 824 - Up to Ser. Nr.: 921	31,33
0513	0L2340			S	A		HEATING ELEMENT; 230V-2200W	From Ser. Nr.:022	34,36
0514	0L0366			S			SUPPORT		3,54
0515	0L2303			S			O-RING; DIA.9,25X1,78		1,05
0516	049643						TEMPERATURE PROBE		10,25
0518	0L2304			S			O-RING; DIA.56.52X5.33		4,67
0519	049992		0L2653		A		HEATING ELEMENT; 230V 9000W	Up to Ser. Nr.: 820	
0519	0L2653			S	A		HEATING ELEMENT; 230V 9000W	From Ser. Nr.: 821	81,29
0521	0L0280			S	A		STUFFING BOX		11,84
0522	0L0285			S	A		CONTACTOR; 220-240V 50HZ/240-264V 60HZ	From Ser. Nr.: 730	29,71
0526	049901						INDUCTIVE-CAPACITIVE FILTER;SINGLE PHASE		17,18
0527	0L1353						PROTECTION; PVC FOR USER INTERFACE		
0528	049931						VELCRO; BY MT.		6,77
0590	0L0732				D		WIRING HARNESS	a,b,c,d,e,g,h,f - Up to Ser. Nr.: 921	199,52

??????	503024								
??????	6-22001	???????? 8	Electrical components						
.		Alias		S		.			(Euro)
0590	0L2492				D		WIRING HARNESS	a,b,c,d,e,g,h,f - From Ser. Nr.: 922	102,66



PLATON SERVICE

8 (800) 500-34-47

www.platonservice.com